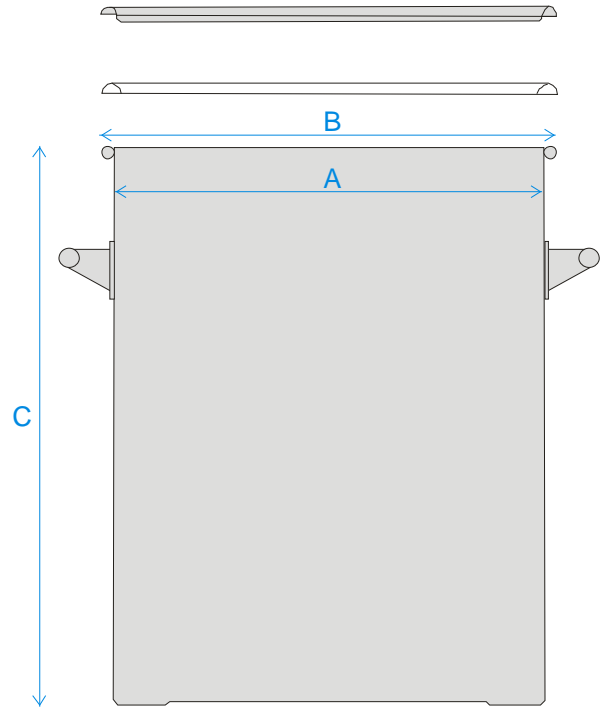


# Product Specification

Specification Number 675 A926200

Revision 01

Part No.	675 A926200
Description	Toggle Drum 200L
Materials of Construction:	<ul style="list-style-type: none"> <li>- Body: 316 stainless steel</li> <li>- Lid: 316 stainless steel</li> <li>- Toggles: 304 stainless steel</li> <li>- Handles: 304 stainless steel</li> <li>- Gasket: Silicone (FDA 177.2600 and USP Class VI compliant)</li> </ul>



Nominal Volume:	200 Litres
Brimful Volume:	204 Litres
Method of Construction:	Welds ground and polished
Surface Finish:	Better than 0.5 microns Ra
Dimensions	<ul style="list-style-type: none"> <li>A = 570 mm</li> <li>B = 590 mm</li> <li>C = 800 mm</li> </ul>
Graduation Marks:	None
Handles:	2 side handles welded onto patch plates
Number of Toggles:	6
Weight:	21.0 Kg (body + gasket + lid)