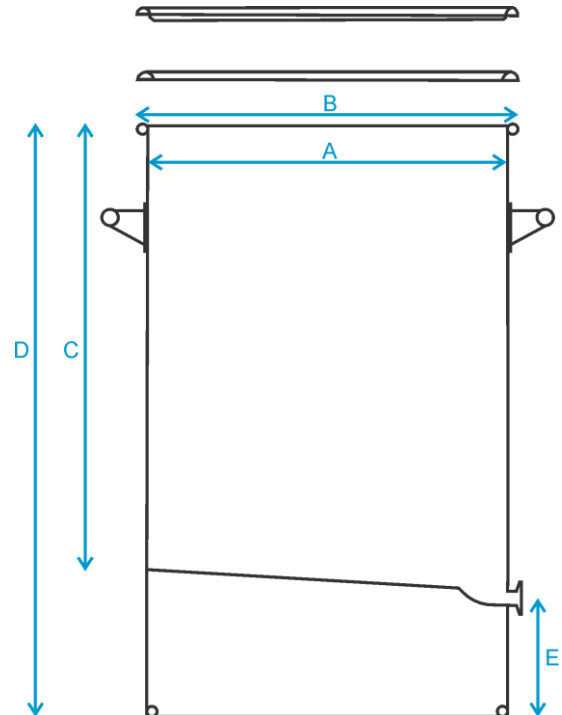


1. Part Number: 675 A61650

2. Photograph:



3. Product Information:

Description

Stainless Storage Drum 50L with 1.5" Ferrule

Materials of Construction:

- Body: 316L stainless steel
- Ferrule: 316L stainless steel
- Lid: 316L stainless steel
- Clamp: 304 stainless steel
- Handles: 304 stainless steel
- Gasket: Silicone (FDA 177.2600 and USP Class VI compliant)

Nominal Volume:

50 Litres

Method of Construction:

- Welds ground and polished
- Crevice free interior

Surface Finish:

Better than 0.5 microns Ra

Dimensions

- A = 394 mm
- B = 414 mm
- C = 424 mm
- D = 591 mm
- E = 150 mm

Graduation Marks:

None

Ferrule:

1.5" (to standard BS4825-3)

Handles:

2 side handles welded onto patch plates

Weight:

12.2 kg (body + gasket + lid + clamp)

BSE/TSE statement:

All polishing compounds used in the manufacture of this product are of vegetable origin

Recommended Storage Conditions:

Dry and ambient temperature

Notes:

- This product should be thoroughly cleaned before it is used for the first time Discharge valve is not included