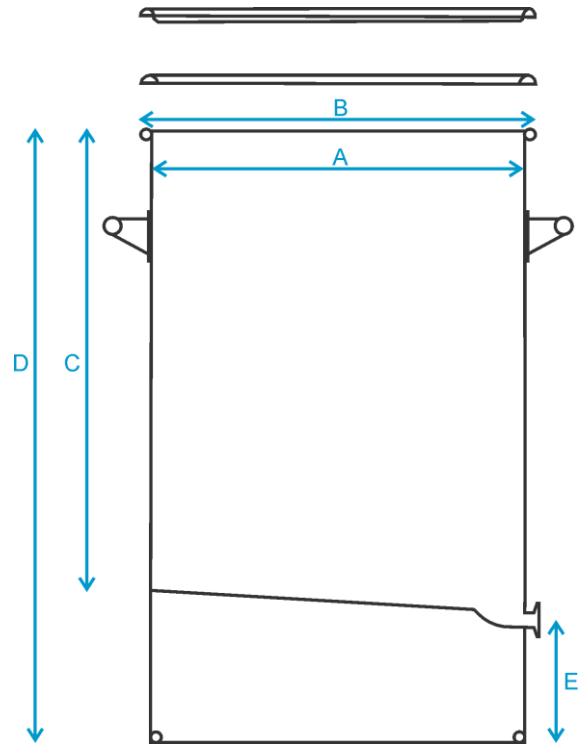


1. Part Number: 675 A616100

2. Photograph:



3. Product Information:

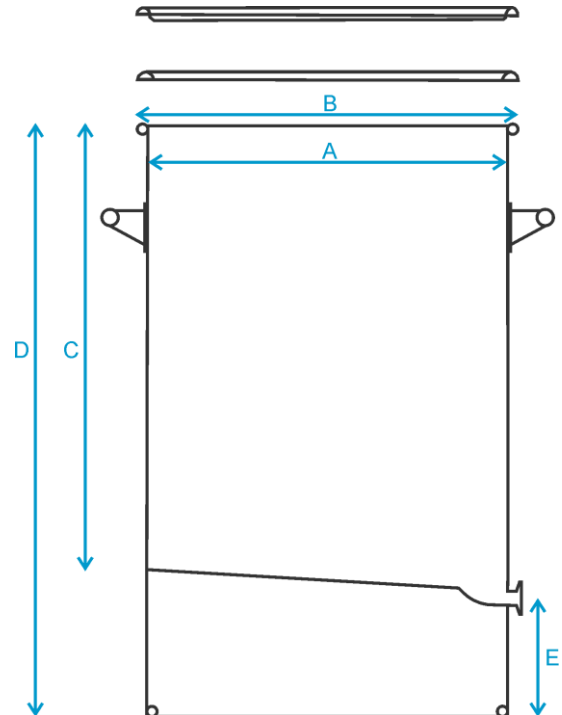
Description	Stainless Storage Drum 100L with 1.5" Ferrule
Materials of Construction:	<ul style="list-style-type: none"> - Body: 316L stainless steel - Ferrule: 316L stainless steel - Lid: 316L stainless steel - Clamp: 304 stainless steel - Handles: 304 stainless steel - Gasket: Silicone (FDA 177.2600 and USP Class VI compliant)
Nominal Volume:	100 Litres
Method of Construction:	<ul style="list-style-type: none"> - Welds ground and polished - Crevice free interior
Surface Finish:	Better than 0.5 microns Ra
Nominal Dimensions:	<ul style="list-style-type: none"> A = 470 mm B = 494 mm C = 587 mm D = 787 mm E = 170 mm
Graduation Marks:	None
Ferrule:	1.5" (to standard BS4825-3)
Handles:	2 side handles welded onto patch plates
Weight:	18.1 kg (body + gasket + lid + clamp)
BSE/TSE statement:	All polishing compounds used in the manufacture of this product are of vegetable origin

Recommended Storage Conditions: Dry and ambient temperature

- Notes:
- This product should be thoroughly cleaned before it is used for the first time
 - Discharge valve is not included

1. Part Number: 675 A61650

2. Photograph:



3. Product Information:

Description

Stainless Storage Drum 50L with 1.5" Ferrule

Materials of Construction:

- Body: 316L stainless steel
- Ferrule: 316L stainless steel
- Lid: 316L stainless steel
- Clamp: 304 stainless steel
- Handles: 304 stainless steel
- Gasket: Silicone (FDA 177.2600 and USP Class VI compliant)

Nominal Volume:

50 Litres

Method of Construction:

- Welds ground and polished
- Crevice free interior

Surface Finish:

Better than 0.5 microns Ra

Dimensions

- A = 394 mm
- B = 414 mm
- C = 424 mm
- D = 591 mm
- E = 150 mm

Graduation Marks:

None

Ferrule:

1.5" (to standard BS4825-3)

Handles:

2 side handles welded onto patch plates

Weight:

12.2 kg (body + gasket + lid + clamp)

BSE/TSE statement:

All polishing compounds used in the manufacture of this product are of vegetable origin

Recommended Storage Conditions:

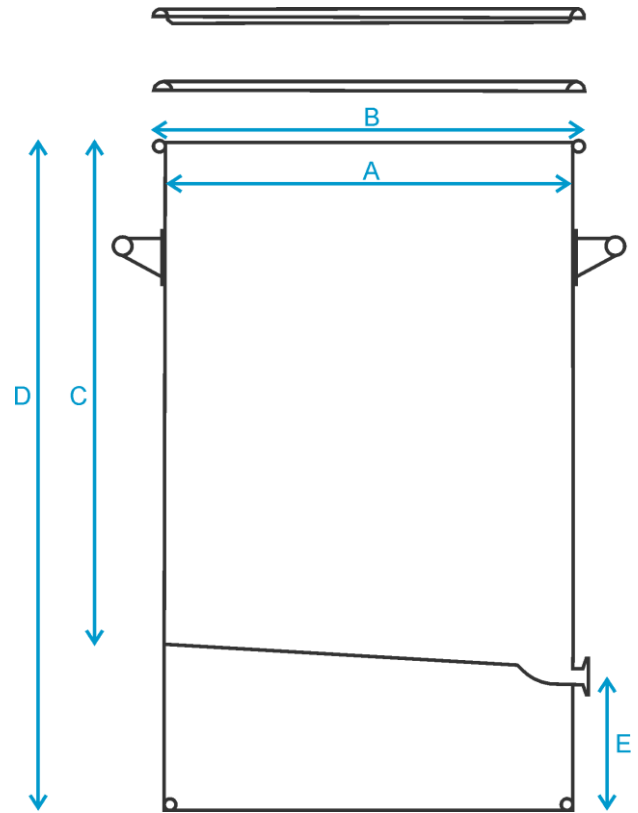
Dry and ambient temperature

Notes:

- This product should be thoroughly cleaned before it is used for the first time Discharge valve is not included

1. Part Number: 675 A616200

2. Photograph:



3. Product Information:

Description

Stainless Storage Drum 200L with 1.5" Ferrule

Materials of Construction:

- Body: 316L stainless steel
- Ferrule: 316L stainless steel
- Lid: 316L stainless steel
- Clamp: 304 stainless steel
- Handles: 304 stainless steel
- Gasket: Silicone (FDA 177.2600 and USP Class VI compliant)



Nominal Volume:

200 Liters

Method of Construction:

- Welds ground and polished
- Crevice free interior

Surface Finish:

Better than 0.5 microns Ra

Nominal Dimensions

- A = 570 mm
- B = 596 mm
- C = 802 mm
- D = 995 mm
- E = 170 mm

Graduation Marks:

None

Ferrule:

1.5" (to standard BS4825-3)

Handles:

2 side handles welded onto patch plates

Weight:

26.0 Kg (body + gasket + lid + clamp)

BSE/TSE statement:

All polishing compounds used in the manufacture of this product are of vegetable origin

Recommended Storage Conditions:

Dry and ambient temperature

Notes:

- This product should be thoroughly cleaned before it is used for the first time
- Discharge valve is not included