

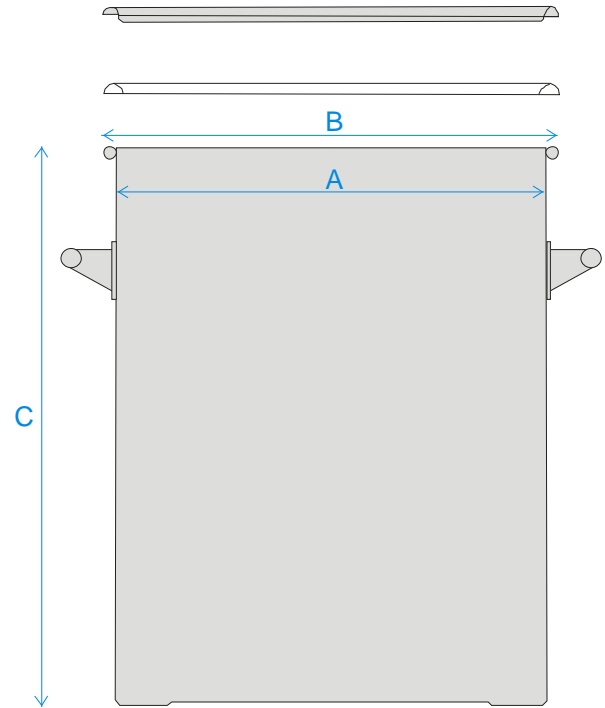
	<h1>Product Specification</h1>	Specification Number	675 A12630
		Revision	02

Part No. 675 A12630

Description Stainless Storage Drum 30L

Materials of Construction:

- Body: 316L stainless steel
- Lid: 316L stainless steel
- Clamp: 304 stainless steel
- Handles: 304 stainless steel
- Gasket: Silicone (FDA 177.2600 and USP Class VI compliant)



Nominal Volume: 30 Litres

Method of Construction: Welds ground and polished

Surface Finish: Better than 0.5 microns Ra

Dimensions
A = 300 mm
B = 320 mm
C = 450 mm

Graduation Marks: None

Handles: 2 side handles welded onto patch plates

Weight: 6.5 Kg (body + gasket + lid + clamp)