

# Sonic Sifter Separator

For Laboratory Particle Size Analysis



## A Powerful Tool: The Original Sonic Sifter Separator.

A superior sieving instrument, the Sonic Sifter Separator is precise, versatile and ideal for research and quality assurance applications.

Specially designed 3" diameter acrylic framed sieves and a patented oscillating air column allows this unit to achieve efficiencies previously seen only with wet sieving for materials in powdered, granular or pellet form. The Sonic Sifter is virtually maintenance free and is capable of achieving separations ranging from 3  $\mu\text{m}$  to 5.6 mm. There is no screen wear or particle attrition. Particle separations can be accomplished in less than 10 seconds under favorable conditions – cutting testing times by up to 90% over other methods.

With the Sonic Sifter Separator:

- A vertical, oscillating column of air "tries" the particles 60 times per second, and a vertical mechanical pulse shears agglomerates and reorients the particles in the air column.
- Special see-through acrylic framed sieves help determine proper power level and finish point.
- Action can be varied for different densities and textures as the power level to separate particles is infinitely adjustable.
- Fine particle separation for dry sieving ranges from 3  $\mu\text{m}$  to 5.6 mm.
- Automatic timing ensures repeatable results.
- Easy to operate.
- No need for periodic adjustments or re-calibration.



## Pricing

### Model

L3P	(110vac / 60Hz)	\$ 6,779
L3P-15	(110vac / 50Hz)	6,779
L3P-25	(220vac / 50Hz)	6,779
L3P-26	(220vac / 60Hz)	6,779

Each unit includes: Complete stack assembly, electrical line cord and an operation manual. Sieves required for particle separation are not included, but can be ordered separately on the back side of this page.

Prices effective January 1, 2012. This price list supercedes all previous price lists. All prices are FOB factory in New Berlin, Wisconsin, and are subject to change without notice. **Made in U. S. A.**

## Basic Specifications

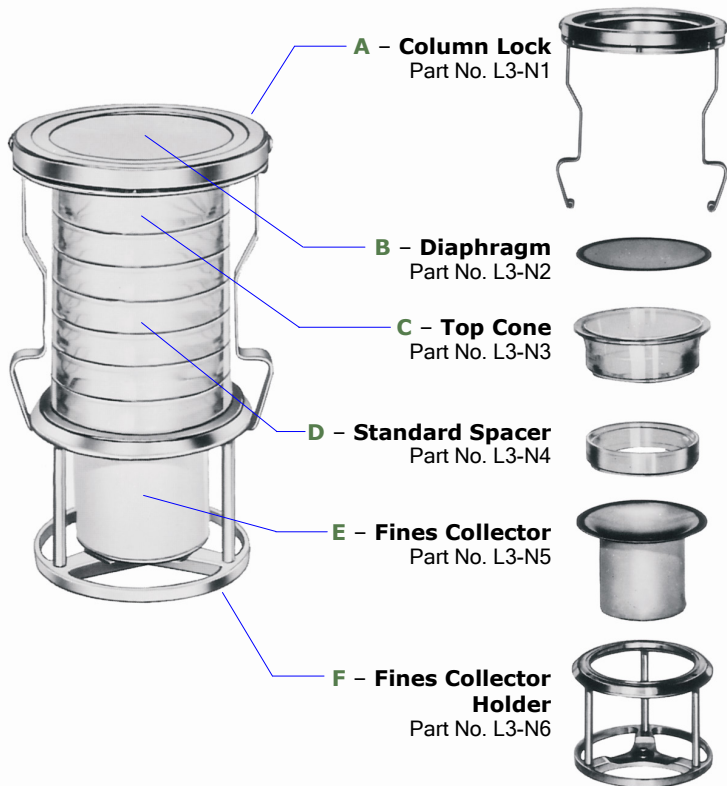
- Capacity  
**3" Clear Acrylic Frame Sieve**
  - 6 each U.S. Standard L3-S Sonic Sifter Sieves, or
  - 3 each Precision Electroformed Nickel Mesh Sieves*Sieves must be ordered separately.*
- Operating Ranges  
Temperature - 0° to 120° F (-18° C to 49° C)  
Humidity – any (non-condensing)  
*For optimal results, temperature and humidity should be controlled.*
- Dimensions  
10" w x 12" d x 23" h  
25 cm x 31 cm x 61 cm
- Weight  
43 lbs (20 kg)
- Built-in digital timer (+/- 2 seconds over 24 hours)
- Warranty  
**Limited one-year warranty**

*Product specifications are subject to change without notice.*



**COFFEE LABORATORY**  
**ANALYTICAL EQUIPMENT**  
[www.coffeelabequipment.com](http://www.coffeelabequipment.com)

## Sonic Sifter Separator Accessories For Laboratory Particle Size Analysis



Item	Description	Part Number	Price
A	Column Lock	L3-N1	\$ 331.46
B	Diaphragm	L3-N2	40.45
C	Top Cone	L3-N3	23.60
D	Standard Spacer	L3-N4	15.73
E	Fines Collector	L3-N5	56.63
F	Fines Collector Holder	L3-N6	291.01
	<b>Complete Stack Assembly *</b>	L3-N7	<b>741.58</b>

\* Includes column lock, diaphragm, top cone, six standard spacers, fines collector and fines collector holder.

## Horizontal Pulse Accessory

A must for accurate separations below 45 µm, this electromechanical device eliminates agglomerates in extremely fine powders. A tapping action alternates on opposite sides of the screen frame to create a high speed shock wave, breaking down agglomerated materials and reintroducing near-sized particles back into the air stream, and then back onto the screening media.

**L3-N8** (110vac / 50 or 60 Hz)

**\$842.70**

Includes: Power supply with electrical line cord for 110 volt operation, machined pulse assembly is designed to fit in the sieve stack taking the place of one sieve or spacer.



## Sonic Sifter Sieves 3" Diameter

- Stainless steel wire cloth of sieves listed meets the current ASTM E11 Sieve Specifications.
- Supplied with Certificate of Compliance.
- Clear acrylic frame. Dimensions: 3-1/2" O.D., 3" I.D. with an overall height of 5/8".

U.S. Sieve No.	Opening Size	Part Number	Price
#3.5	5.60 mm	L3-S3.5	\$ 99.71
#4	4.75 mm	L3-S4	99.71
#5	4.00 mm	L3-S5	99.71
#6	3.35 mm	L3-S6	99.71
#7	2.80 mm	L3-S7	99.71
#8	2.36 mm	L3-S8	99.71
#10	2.00 mm	L3-S10	99.71
#12	1.70 mm	L3-S12	99.71
#14	1.40 mm	L3-S14	99.71
#16	1.18 mm	L3-S16	99.71
#18	1.00 mm	L3-S18	99.71
#20	850 µm	L3-S20	99.71
#25	710 µm	L3-S25	99.71
#30	600 µm	L3-S30	99.71
#35	500 µm	L3-S35	99.71
#40	425 µm	L3-S40	99.71
#45	355 µm	L3-S45	99.71
#50	300 µm	L3-S50	99.71
#60	250 µm	L3-S60	99.71
#70	212 µm	L3-S70	99.71
#80	180 µm	L3-S80	99.71
#100	150 µm	L3-S100	104.30
#120	125 µm	L3-S120	104.30
#140	106 µm	L3-S140	104.30
#170	90 µm	L3-S170	104.30
#200	75 µm	L3-S200	113.46
#230	63 µm	L3-S230	126.07
#270	53 µm	L3-S270	157.01
#325	45 µm	L3-S325	189.10
#400	38 µm	L3-S400	245.26
#450	32 µm	L3-S450	297.98
#500	25 µm	L3-S500	314.03
#635	20 µm	L3-S635	379.35

## Precision Sieves for Sonic Sifter 3" Diameter

- Electroformed nickel mesh precision sieves listed meets the current ASTM E161 specifications.
- Clear acrylic frame. Dimensions: 3-1/2" O.D., 3" I.D. with an overall height of 1-1/4".

Sieve Opening	Part Number	Price	Sieve Opening	Part Number	Price
3 µm	L3-M3	\$ 1,220.10	60 µm	L3-M60	\$ 756.21
5 µm	L3-M5	1,220.10	65 µm	L3-M65	756.21
10 µm	L3-M10	943.01	70 µm	L3-M70	756.21
15 µm	L3-M15	943.01	75 µm	L3-M75	756.21
20 µm	L3-M20	943.01	80 µm	L3-M80	756.21
25 µm	L3-M25	756.21	85 µm	L3-M85	756.21
30 µm	L3-M30	756.21	90 µm	L3-M90	756.21
35 µm	L3-M35	756.21	95 µm	L3-M95	921.43
40 µm	L3-M40	756.21	100 µm	L3-M100	921.43
45 µm	L3-M45	756.21	105 µm	L3-M105	921.43
50 µm	L3-M50	756.21	125 µm	L3-M125	921.43
55 µm	L3-M55	756.21	150 µm	L3-M150	921.43

**Prices effective January 1, 2012.** This price list supersedes all previous price lists. All prices are FOB factory in New Berlin, Wisconsin. Prices are subject to change without notice. **Made in U.S.A.**